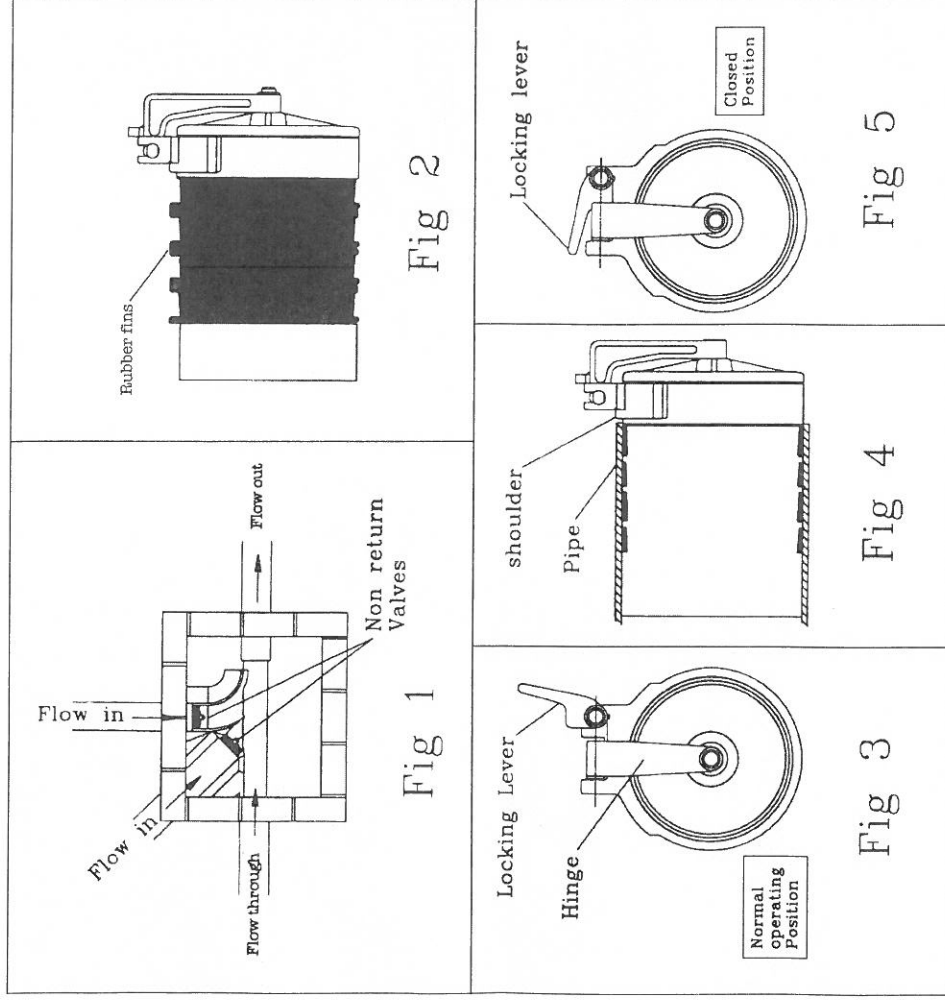


NON RETURN VALVE FLOOD & PEST PROTECTION FOR DOMESTIC AND COMMERCIAL USE – TO FIT 110mm/4” CLAY DRAIN PIPE

INSTALLATION INSTRUCTIONS

- 1) When entering manhole adhere to appropriate safety regulations, lift manhole cover carefully as it may be heavy (assistance maybe needed), identify Drainage Flow direction by flushing the toilet, also identify how many pipes are connected from your property (Fig 1). You will need to fit a non return valve to each flow pipe from your property.
- 2) Clean out all incoming pipes to remove any slime etc.
- 3) Remove non return valve from packaging.
- 4) Offer valve into pipe to ensure there are no obstacles within the pipe.
- 5) Check that the flap is not impeded by the benching, if so grind or chip away benching so as the flap closes unimpeded onto the body of the valve. Make good benching if required.
- 6) With hinge aligned vertical (Fig 3) offer valve back into pipe and push in right up to Body Shoulder (Fig 4). If valve is a tight fit then leave in place.
- 7) For normal use rotate locking lever clockwise to vertical position (Fig 5).
- 8) For Maintenance use by your Local Water Authority or sewage undertaker. The locking lever can be rotated anti-clockwise until it slots into the Hinge and this will manually close the valve off (Fig 5) however the valve should not be left in this position or back-up will occur in the properties out-going pipes.



MAINTENANCE INSTRUCTIONS

The Watertight International Ltd – Polvik (NRV) has been designed to ensure free sewage flow from your property and eliminating the risk of back flow into your property.

This valve will also provide protection against vermin intrusions.

The Watertight International Ltd – Polvik (NRV) will activate the moment that flooding occurs in the manhole.

Regular simple maintenance is recommended.

A visual inspection by lifting the manhole cover carefully, ensuring that the valve can operate efficiently. If you have to enter the manhole ensure all other entry points are blocked off before you start to work. When leaving the manhole ensure all entry points are clear except the one with the (NRV) in it.

This should be carried out, Prior and Post flood times. When the flood has receded dirt and debris may be left in your manhole.

This must be cleaned away to ensure operation efficiency for next flood. Either pick the debris up or hose down with a pipe. If using this method make sure the (NRV), is locked (see Fig 5). Once clear unlock (NRV) (see Fig 3).

If for any reason you need to unblock your toilet before doing so remove blue cap by pulling up, after unblocking replace blue cap.

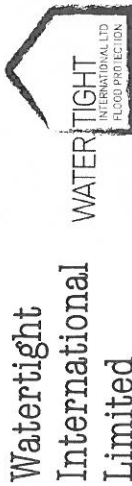
This document should be kept within the property pack and therefore passed onto the next homeowner in the event of a property sale.



Prevents vermin



Prevents odours



Made in UK by Polvik Ltd

International.PCT number PCT/EP2010/060812

WARNING

If the unit is not installed and maintained in accordance with the manufacturers instructions the manufacturer assumes no responsibility for any resulting loss. The Watertight International Ltd – Polvik (NRV) has been designed specifically for home application with floodwater. Any other use is a misapplication: e.g use to prevent leakage of hazardous industrial chemicals. In the event of misapplication, the manufacturer assumes no responsibility for any resulting loss.