

## PRODUCT INFORMATION

Vent Guards are manufactured from glass reinforced plastic (GRP). They are designated as a reusable product and once installed on the property, can be manually sealed in seconds.

The Vent Guard has been designed to protect air-bricks or air vents only. They should not be used to protect gas flues, chimney outlets or vents which service other heating appliances. If in doubt, seek professional advice prior to installing the product.

The single size Vent Guard (SAVC) is capable of protecting an air-brick measuring up to 240mm in length by 120mm in height.

The double size Vent Guard (DAVC) is capable of protecting an air-brick measuring up to 240mm in length by 240mm in height.

The Vent Guard can be used on domestic properties, commercial premises, schools and other public buildings. It can be used in fresh or salt water flood conditions.

The Vent Guard can be used on brick or rendered block-work finishes.

Recorded leakage rates during testing were 0.00mL/h/m

General life expectancy of each unit is 10+ years if adequately maintained.

All components of a life expired Vent Guard can be recycled.

## GENERAL INFORMATION

Prior to the installation of any flood protection equipment, it is strongly advised that a flood protection risk assessment is carried out by a suitably qualified building surveyor, architect, structural engineer, civil engineer or those deemed competent, to ensure that the relevant routes for water entry have been identified and that the structural integrity of the building is not compromised by the installation of such products.

The Vent Guard is designed for the temporary mitigation of flood risk and should be seen as part of a suite of measures to reduce the risk of flood water entering a property.

This product has been tested against the standard set of tests as defined in PAS 1188-1:2014 which represent typical conditions that may be experienced during a flood in the UK.

This includes testing the product for leakage under static water levels 900mm above the aperture threshold level, waves up to 0.1m high, and parallel currents up to 1.0m/s. The testing undertaken under this PAS excludes all other components of the flood protection system.

Conformance of the product to PAS 1188-1:2014 does not mean it is suitable for all buildings or locations. If the user has any uncertainty about the suitability of a product they should seek professional guidance.

### Useful websites:

[www.gov.uk/government/organisations/environment-agency](http://www.gov.uk/government/organisations/environment-agency)  
[www.sepa.org.uk/environment/water/flooding](http://www.sepa.org.uk/environment/water/flooding)  
[www.nationalfloodforum.org.uk](http://www.nationalfloodforum.org.uk)  
[www.property-care.org/homeowners/flood-protection](http://www.property-care.org/homeowners/flood-protection)



# VENT GUARD FITTING AND MAINTENANCE MANUAL

## Important Information

The safety advice given by the emergency services should always be adhered to during flood conditions.



**Floodgate Ltd**  
49-51 Lammas Street  
Carmarthen  
SA31 3AL

Telephone: 01267 234205  
Fax: 01267 232752  
Email: [sales@floodgate.ltd.uk](mailto:sales@floodgate.ltd.uk)  
Website: [www.floodgate.ltd.uk](http://www.floodgate.ltd.uk)

Stockist

Serial Number

# Fitting Instructions

## Fitting your Air Brick Vent Guard

### PREPARATORY STEP

- Ensure that the area surrounding the airbrick onto which the Vent Guard will be fixed is as smooth and as even as possible. **\*\*You should ensure that adequate safety gloves and eye protection are worn at all times during the installation process. The unit should only be installed by a responsible adult.\*\***

### STEP ONE

- Place the unit over the airbrick and mark the screw holes (**diagram 1**).

### STEP TWO

- Drill all holes using a 5.5mm masonry drill bit.

### STEP THREE

- Insert the supplied rawl plugs into the drilled holes.

### STEP FOUR

- Cover the underside of the Vent Guard flange (**A**) with a suitable exterior silicon sealant capable of bonding to plastic and masonry (**diagram 1a**).

### STEP FIVE

- Place the Vent Guard in position and screw into place with the supplied screws. WARNING – over tightening the screws may cause the plastic to split.

### STEP SIX

- Apply a layer of silicon sealant around the exterior edges of the Vent Guard to ensure a complete seal (**diagram 2**).

### STEP SEVEN

- To paint – lightly roughen the exterior of the unit with sand paper and apply an exterior paint.

### STEP EIGHT

- In the event of a flood or on flood warning, manually insert the black plastic plugs (**B**) into the tubes located on either side of the Vent Guard (**diagrams 3 & 4**).

Diagram 1

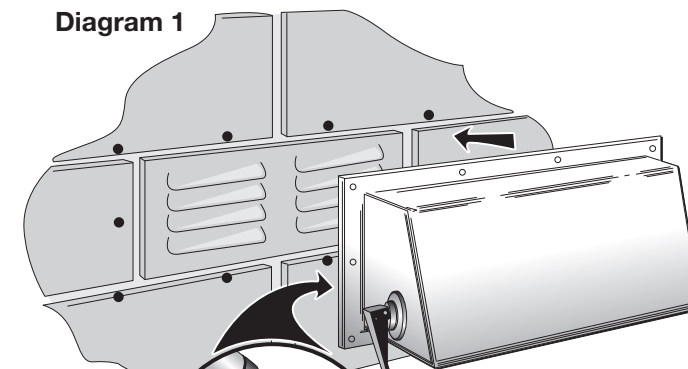


Diagram 1a

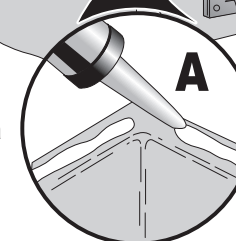


Diagram 2

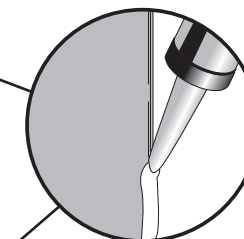


Diagram 3

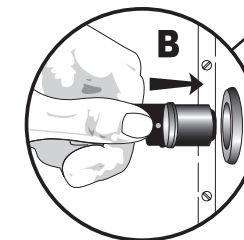
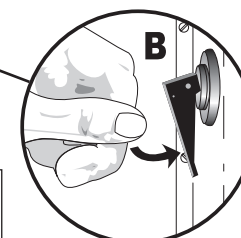


Diagram 4



KM73864

Floodgate Limited accepts no responsibility for loss or damage caused by improper fitting or use of this product.

A short video demonstrating fitting and using the vent guard can be found at [www.floodgate.ltd.uk/airbricks.html](http://www.floodgate.ltd.uk/airbricks.html)

## CLEANING, MAINTENANCE AND STORAGE INSTRUCTIONS

A general household cleaning agent suitable for use on painted and plastic finishes can be used to remove dirt from the unit.

Ensure that the plastic tubes on either side of the Vent Guard are kept clear of debris and vegetation which would otherwise hinder placement of the plugs.

Periodically, and after every flood event, inspect the Vent Guard for damage. A unit showing signs of damage should be replaced immediately.

Periodically, and after every flood event, inspect the silicon sealant around the edge of the unit. If the sealant shows signs of deterioration, remove and apply a fresh layer (see diagram 2 - Step six).

Screws showing signs of weathering should be replaced.

To allow air to flow through the unit, the plastic plugs should only be inserted when flooding is imminent. When not in use, the plastic plugs should be stored in a dry, safe area ready for the next deployment.

Replacement plugs are available to purchase from Floodgate Ltd.

A copy of these instructions can be downloaded at the following website address:  
[www.floodgate.ltd.uk/resources/Vent%20Guard%20-%20Fitting%20Instructions.pdf](http://www.floodgate.ltd.uk/resources/Vent%20Guard%20-%20Fitting%20Instructions.pdf)

Or can be ordered from Floodgate Ltd at the following address:  
**Floodgate Ltd, 49-51 Lammas Street, Carmarthen, Carmarthenshire. SA31 3AL**

Telephone: 01267 234205

Fax: 01267 232752

Email: [sales@floodgate.ltd.uk](mailto:sales@floodgate.ltd.uk)

Website: [www.floodgate.ltd.uk](http://www.floodgate.ltd.uk)

